

AXOR Citterio

Thermostat for concealed installation with shut-off valve and lever handle

Surfaces: **Chrome** Article Number: **39700000**



Description

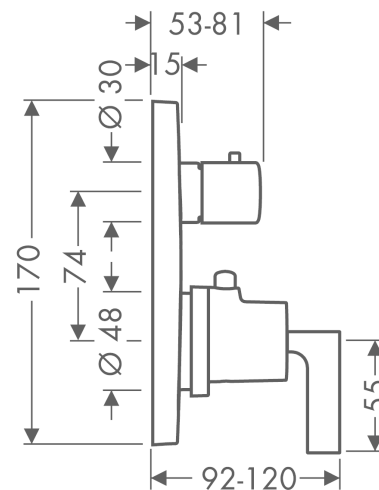
product features

- 1 outlet
- flow rate at 3 bar: 26 l/min
- thermostat cartridge, ceramic valves 90°
- min. operating pressure: 1 bar
- max. operating pressure: 10 bar
- safety lock at 38° C
- temperature limitation adjustable
- with silencer
- connection type: basic set

Product image



Scale drawing



Flowchart

